

# Condidea F-CV Mike

## Confidea Flushmount Chairperson Voting Unit



### Description

The Confidea F-CV Mike is Televic's chairperson panel for basic discussion systems, with an integrated speaker and electronic voting.

Its small form factor, housed in an elegant casing, permits a minimalistic integration into any meeting room furniture. The integrated speaker creates a distributed sound field in the meeting room, increasing intelligibility without the need for an additional room sound system.

The panel has a microphone connector to fit the new push-and-lock Mike microphone that reduces setup time. A 3.5 mm jack socket is available to connect headphones or a hearing loop for the hearing impaired.

The voting systems includes 5 voting buttons, an RFID card reader for identification and authentication, as well as two additional buttons compared to the delegate unit: "Next-in-Line" and "Priority".

### Benefits

The Confidea F-CV Mike is a sleek and discreet solution that is perfectly suited to conference rooms without an existing sound system. The ability to connect headphones provides accessibility for the hearing impaired. The range of five voting buttons allows for easy and detailed voting options.

The unit is available in a variety of custom colors, sizes and finishes to blend in neatly in any environment. The Confidea F-CV Mike is backed by the Plixus® network and redundant cabling to ensure maximum reliability. Finally, its shielded microphone is immune to mobile phone interference.

### Features

- » Basic discussion function
- » Electronic voting function
- » Tactile microphone push button with integrated LED
- » Tactile Next-in-line push button
- » Tactile Priority push button
- » 5 clear voting buttons with LED indicators: ++/+0/-/--
- » RFID card reader
- » Integrated loudspeaker
- » Rounded corners for easy installation
- » Trademark natural Televic Sound
- » Available in custom colors, sizes, finishes

### Connectivity

- » Push & Lock socket to connect a removable microphone:
  - Mike LPM 71.98.0091
  - Mike PLM301F 71.98.0093
  - Mike PLM401F 71.98.0094
  - Mike PLM502F 71.98.0095
  - Mike PLM602F 71.98.0096
  - Mike PLM402F 71.98.0098
- » Two RJ 45 connectors for loop through cabling
- » 3.5 mm stereo jack socket for headphones
- » Plixus-powered

## Software

To fully configure, manage, and use the unit, Televic's CoCon management software is required. The following standard licenses are available:

- » CoCon Discussion 71.98.1101
- » CoCon Signage 71.98.1102
- » CoCon Voting 71.98.1104
- » CoCon Authentication 71.98.1105

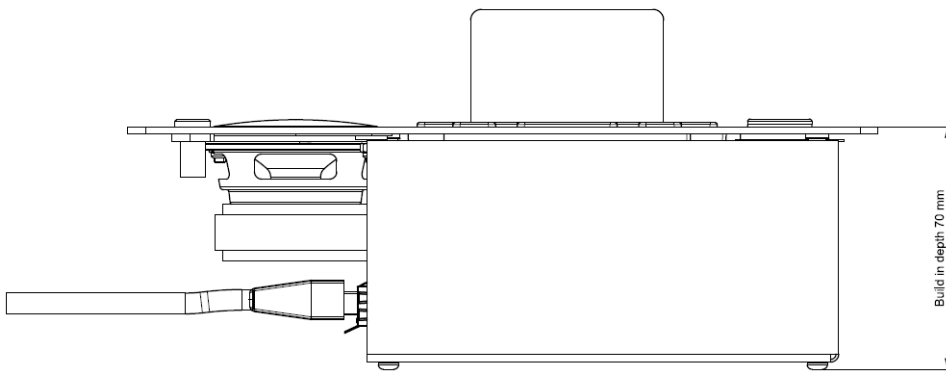
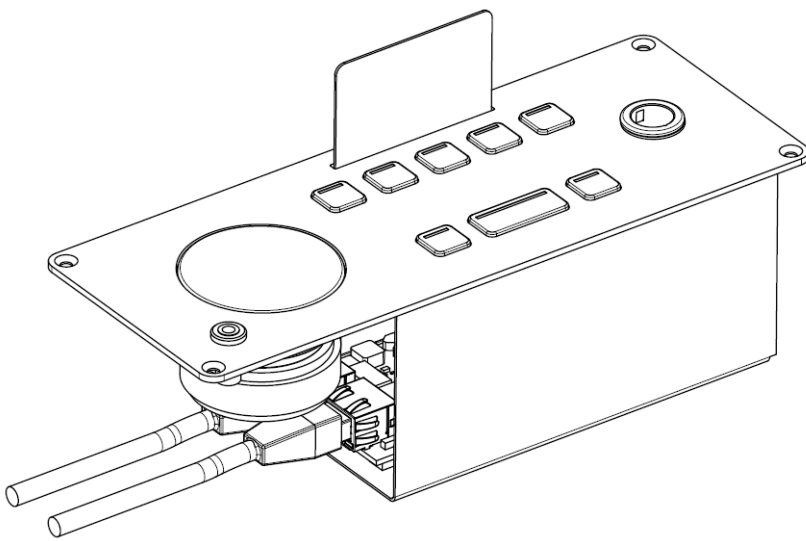
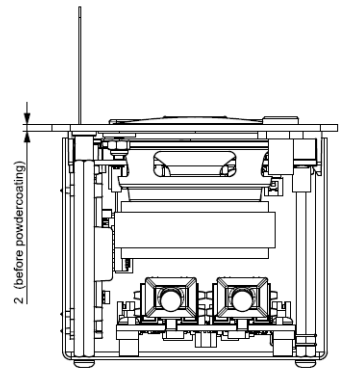
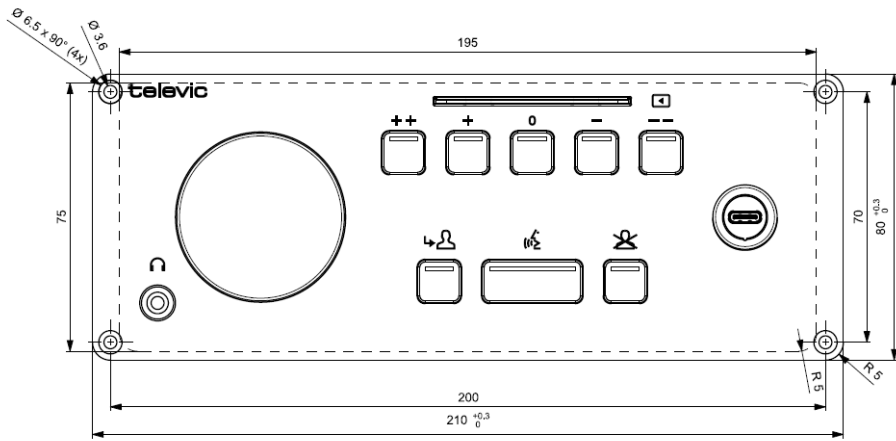
## Specifications

Mechanical	
Material	Steel
Color	Tiger coating Carbon 01
Size (mm)	210 (w) × 80 (h) × 70 (d)
Size packed (mm)	250 (w) × 120 (h) × 85 (d)
Weight	740 g
Weight packed	860 g
Electrical	
Voltage	48 VDC
Current consumption	4 W
Speaker Output	
Maximum output power	> 1 W
Frequency response	200-20,000 Hz
Dynamic range	> 90 dB
THD @ nominal level	< 0.1%
Load impedance	8 Ω
Headphone Output	
Maximum output	> 10 mW
Frequency response	22-22,000 Hz
Dynamic range	> 90 dB
THD @ nominal level	< 0.1%
Load impedance	16-32 Ω
Microphone Input	
Dynamic range	-
Frequency response	20-20,000 Hz
THD @ nominal level	0.1%

## Certification

Region	Certification
Europe	CE

# Technical Drawings



## HQ Belgium

+32 51 30 30 45

conference@televic.com

<https://www.televic.com/en/conference>

## Asia

+86 21 61 48 01 23

conference@televic.com

[www.televic-conference.com.cn](http://www.televic-conference.com.cn)

## France

+33 3 74 09 52 76

conference-france@televic.com

[www.televic-conference.fr](http://www.televic-conference.fr)

## United States

+1 916 920 0901

conference-us@televic.com

All information copyright Televic Conference, 2024.

Televic reserves the right to change this document without notice.

Version 1.0

