



SpeechLine Wired MEB 102 (-L), MEB 104 (-L) Install Boundary Layer Microphone

FEATURES

- Unobtrusive, timeless design
- Optimized for speech
- Made in Germany

Compact and unobtrusively designed, the boundary layer microphones MEB 102 (omnidirectional) and MEB 104 (cardioid) fits any style of interior and can be easily installed into surfaces such as tables or ceiling tiles.

Each of them features aproven Sennheiser microphone capsule for the best speech intelligibility, and is protected by a rugged housin. Its -L variant features a bi-color LED ring for status indication.



MEB 102

MEB 104

DELIVERY INCLUDES

- Boundary layer microphone
- Quick guide
- Safety guide
- Mounting material

ARCHITECT'S SPECIFICATION

The microphone shall be a pre-polarized condenser boundary layer microphone designed for fixed installation in conference applications. The omni-directional microphone capsule shall be optimized for speech intelligibility. The microphone capsule shall be protected by a rugged sound inlet basket. The frequency response shall be 40 Hz-20,000 Hz and sensitivity shall be 16 mV/Pa. Nominal impedance at 1 kHz shall be 200 Ω . Equivalent noise level shall be 21 dB(A) or 31 dB weighted as per CCIR 468-3. Dynamic range shall be 104 dB(A). Maximum SPL shall be 125 dB. The microphone shall provide an XLR-3 connector and an M20 thread.

The microphone shall operate on 48 V phantom power. Current consumption shall be 3 mA. Dimensions shall be 28.5 mm (1.12") in diameter and 83 mm (3.27") in total height. The installation height shall be 12 mm (0.57"). Weight shall be 58 grams (2.05 oz).

Operating temperature shall range from 0 °C to +40 °C (+32 °F to +104 °F). The micro-phon shall be the Sennheiser MEB 102. The Sennheiser MEB 102 microphone shall also be available as a variant (-L) with an XLR-5 connector and a bi-color LED ring for status indication. The current consumption of the -L version shall be 6 mA. The TLL voltage for LED activation shall be high level > 2.4 and low level < 0.4 V.

The microphone shall be a pre-polarized condenser boundary layer microphone designed for fixed installation in conference applications. The cardioid microphone capsule shall be optimized for speech intelligibility. The microphone capsule shall be protected by a rugged sound inlet basket. The frequency response shall be 40 Hz-20,000 Hz and sensitivity shall be 14 mV/Pa. Nominal impedance at 1 kHz shall be 200 Ω . Equivalent noise level shall be 28 dB(A) or 38 dB weighted as per CCIR 468-3. Dynamic range shall be 97 dB(A). Maximum SPL shall be 125 dB. The micro-phon shall provide an XLR-3 connector and an M20 thread. The microphone shall operate on 48 V phantom power. Current consumption shall be 3 mA. Dimensions shall be 28.5 mm (1.12") in diameter and 90 mm (3.54") in total height. The installation height shall be 19 mm (0.75"). Weight shall be 60 grams (2.15 oz). Operating temperature shall range from 0 °C to +40 °C (+32 °F to +104 °F). The microphone shall be the Sennheiser MEB 104.

The Sennheiser MEB 104 microphone shall also be available as a variant (-L) with an XLR-5 connector and a bi-color LED ring for status indication. The current consumption of the -L version shall be 6 mA. The TLL voltage for LED activation shall be high level > 2.4 V and low level < 0.4 V.



SpeechLine Wired

MEB 102 (-L), MEB 104 (-L)

Install Boundary Layer Microphone

SPECIFICATIONS

MEB 102 & MEB 102-L

	MEB 102	MEB 102-L
Transducer principle	pre-polarized condenser microphone	pre-polarized condenser microphone
Acoustic principle	boundary layer microphone	boundary layer microphone
Pick-up pattern	omni-directional	omni-directional
Frequency response	40 Hz – 20 kHz	40 Hz – 20 kHz
Nominal impedance at 1 kHz	200 Ohm	200 Ohm
Sensitivity	16 mV/Pa	16 mV/Pa
Maximum sound pressure level	125 dB	125 dB
Equivalent noise level	21 dB (A)	21 dB (A)
Equivalent noise level weighted as per CCIR 468-3	31 dB (CCIR)	31 dB (CCIR)
Dynamic range	104 dB (A)	104 dB (A)
Phantom power	P 24-48	P 24-48
Current consumption	3 mA	6 mA
Connector	XLR 3	XLR 5
Pin assignment	XLR-3M out 1 = gnd 2 = Audio + 3 = Audio -	XLR-5M out 1 = gnd 2 = Audio + 3 = Audio - 4 = LED green (trigger signal) 5 = LED red (default)
LED light ring color		red / green
TTL levels for LED activation		high > 2.4 V low < 0.4 V
Weight	58 g	58 g
Height	83 mm (12 mm above surface)	83 mm (12 mm above surface)
Diameter	28.5 mm	28.5 mm
Thread	M 20	M 20
Operating temperature	0 °C to +40 °C (32° F to +104° F)	0 °C to +40°C (32° F to +104° F)



SpeechLine Wired

MEB 102 (-L), MEB 104 (-L)

Install Boundary Layer Microphone

SPECIFICATIONS

MEB 104 & MEB 104-L

	MEB 104	MEB 104-L
Transducer principle	pre-polarized condenser microphone	pre-polarized condenser microphone
Acoustic principle	boundary layer microphone	boundary layer microphone
Pick-up pattern	cardioid	cardioid
Frequency response	40 Hz – 20 kHz	40 Hz – 20 kHz
Nominal impedance at 1 kHz	200 Ohm	200 Ohm
Sensitivity	10 mV/Pa/ -40 dB V/Pa	10 mV/Pa/ -40 dB V/Pa
Maximum sound pressure level	125 dB	125 dB
Equivalent noise level	28 dB (A)	28 dB (A)
Equivalent noise level weighted as per CCIR 468-3	38 dB (CCIR)	38 dB (CCIR)
Dynamic range	97 dB (A)	97 dB (A)
Phantom power	P 24-48	P 24-48
Current consumption	3 mA	6 mA
Connector	XLR 3	XLR 5
Pin assignment	XLR-3M out 1 = gnd 2 = Audio + 3 = Audio -	XLR-5M out 1 = gnd 2 = Audio + 3 = Audio - 4 = LED green (trigger signal) 5 = LED red (default)
LED light ring color		red / green
TTL levels for LED activation		high > 2.4 V low < 0.4 V
Weight	60 g	60 g
Height	90 mm (19 mm above surface)	90 mm (19 mm above surface)
Diameter	28.5 mm	28.5 mm
Thread	M 20	M 20
Operating temperature	0 °C to +40 °C (32 °F to 104 °F)	0 °C to +40 °C (32 °F to 104 °F)

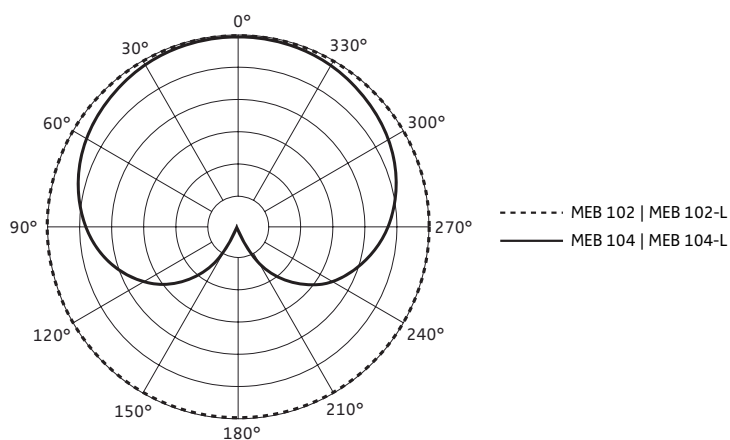


SpeechLine Wired

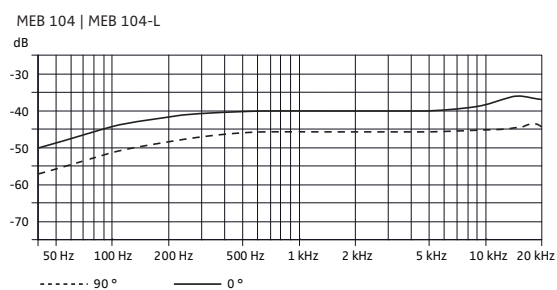
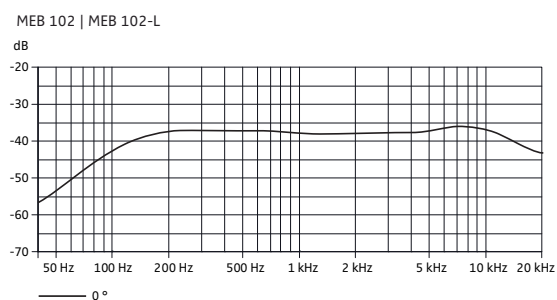
MEB 102 (-L), MEB 104 (-L)

Install Boundary Layer Microphone

POLAR PATTERN



FREQUENCY RESPONSE



PRODUCT VARIANTS

MEB 102 B black	Art. No. 505600
MEB 102 W white	Art. No. 505601
MEB 102-L B black	Art. No. 505603
MEB 102-L W white	Art. No. 505604
MEB 104 B black	Art. No. 505606
MEB 104 W white	Art. No. 505607
MEB 104-L B black	Art. No. 505609
MEB 104-L W white	Art. No. 505610

ACCESSORIES

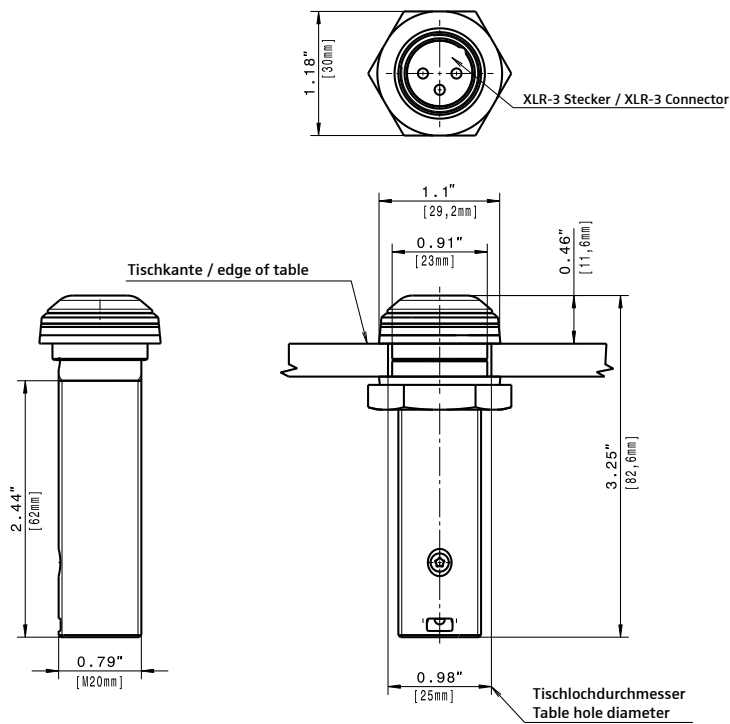
MAS 1 B Microphone Switch, black	Art. No. 505618
MAS 1 W Microphone Switch, white	Art. No. 505619
MAS 133 Inline Logic Box	Art. No. 505621



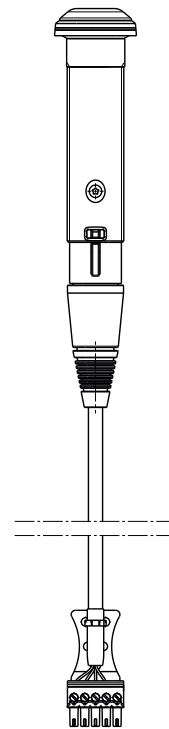
SpeechLine Wired MEB 102 (-L), MEB 104 (-L) Install Boundary Layer Microphone

DIMENSIONS

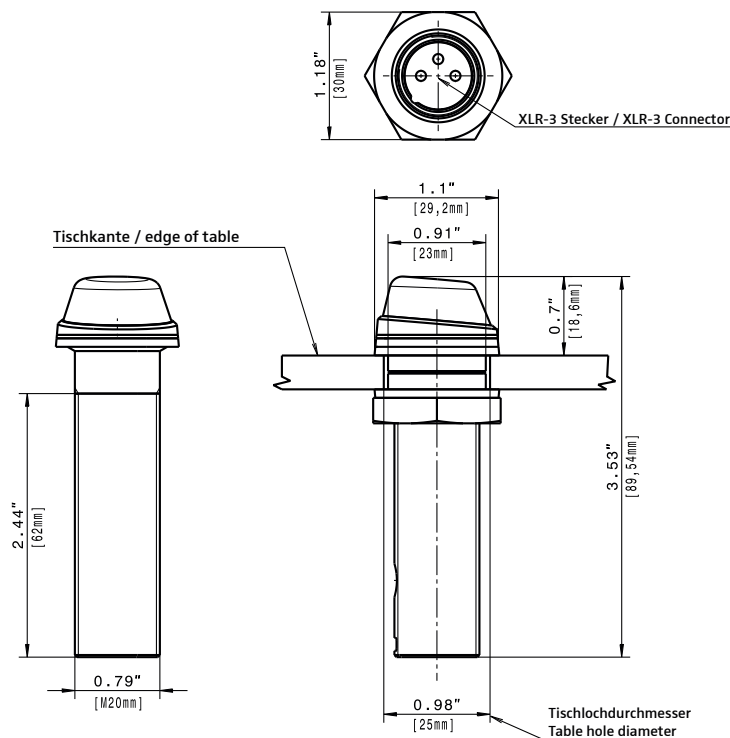
MEB 102



MEB 102-L TC B



MEB 104



MEB 104-L TC B

