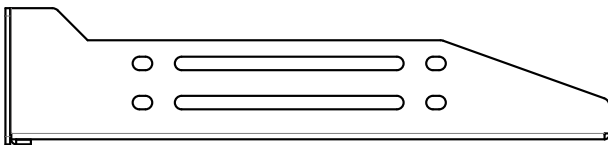


# Soundweb™ London

## 1U Rack-Mount Kit



1U Rack-Mount Kit Front



1U Rack-Mount Kit Side

### OVERVIEW:

The BSS Audio 1U Rack-Mount Kit allows up to two half-rack Soundweb London devices—BLU-BIB and BLU-BOB1—to be mounted on a shelf occupying a single rack space. The 1U Rack-Mount Kit can accommodate one BLU-BIB device, one BLU-BOB1 device, two BLU-BIB devices, two BLU-BOB1 devices, or one of each device. With each device offering eight channels of analog I/O expansion, the 1U Rack-Mount Kit allows for higher I/O density (16 channels) in a single rack space.

For instances in which only one I/O expander is mounted, the included half-rack blanking plate can be used to fill the blank space in the front of the rack.

### KEY FEATURES:

- Accommodates Two BLU-BIB / BLU-BOB1 Devices in One Rack Space
- Half-Rack Blanking Plate for Unused Space (included)
- Mounting Screws for Securing Devices to Shelf (included)



# Soundweb™ London 1U Rack-Mount Kit

**TECHNICAL SPECIFICATIONS:**

Dimensions (H x W x D):	1.68" x 17.28" x 7.72" (42.67mm x 438.92mm x 196.09mm)
Weight - Shelf:	2.52 lbs / 1.14 kg
Weight - Blanking Plate:	0.44 lbs / 0.20 kg

Figure 1: Possible BLU-BIB / BLU-BOB1 Positions on the Shelf

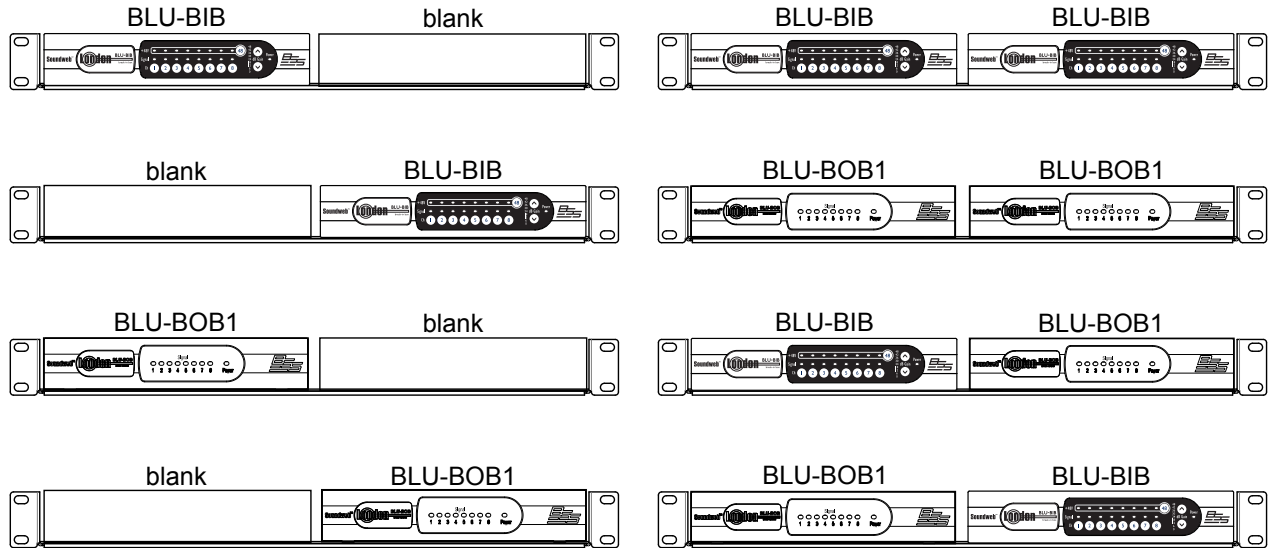
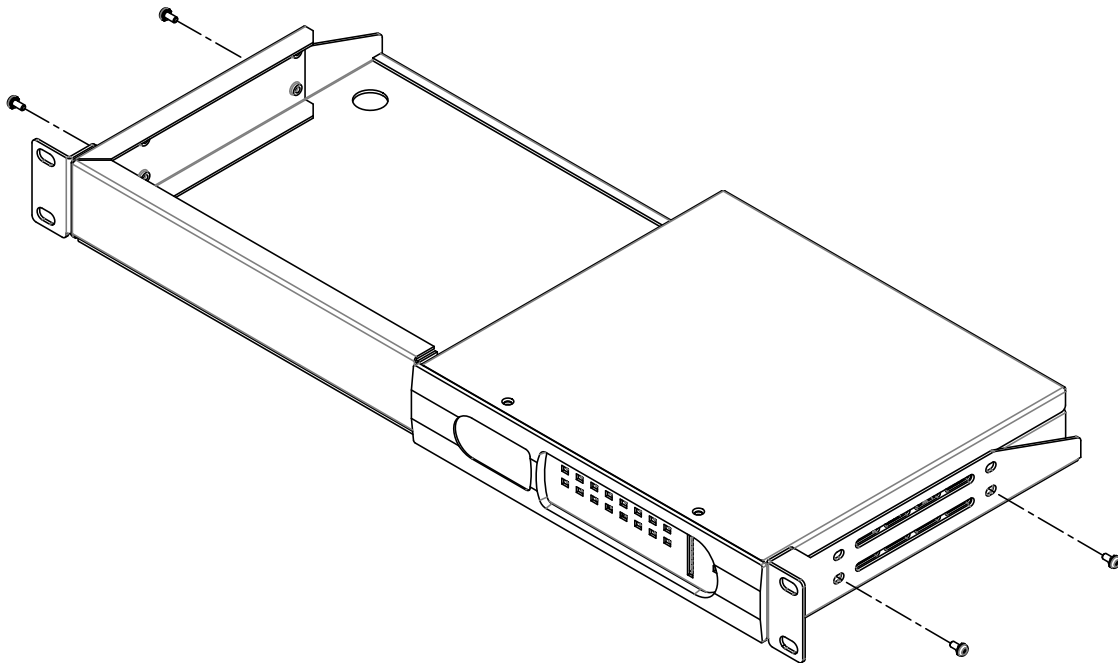


Figure 2: Securing a Device and Blanking Plate to the Shelf



BSS Audio has a policy of continued product improvement and accordingly reserves the right to change features and specifications without prior notice.