



Confidea F-DD

Confidea Flushmount Delegate Discussion Unit



Description

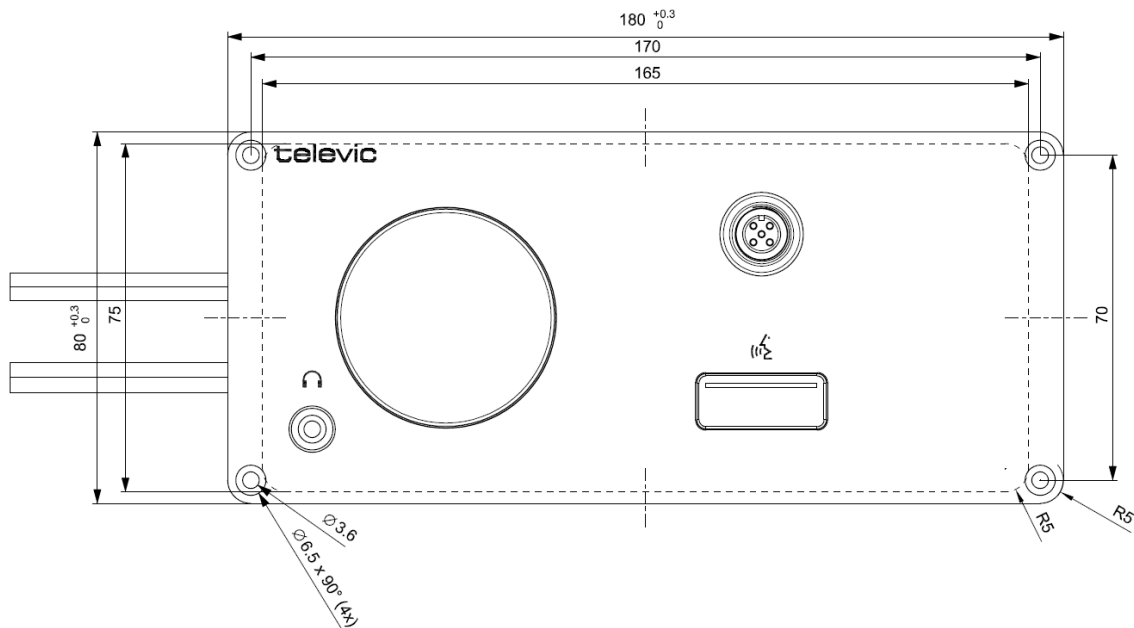
The Confidea F-DD is Televic's delegate panel for basic discussion systems, equipped with an integrated speaker. Its small form factor, housed in an elegant casing, permits a minimalistic integration into any meeting room furniture. The integrated speaker creates a distributed sound field in the meeting room, increasing intelligibility without the need for an additional room sound system. The panel has a screw-lock connector to fit a removable microphone (available in 30, 40 or 50 cm versions). A 3.5 mm jack socket is available to connect headphones or a hearing loop for the hearing impaired. The chairman version of this panel has additional controls (see Confidea F-CD **71.98.0511**).

Benefits

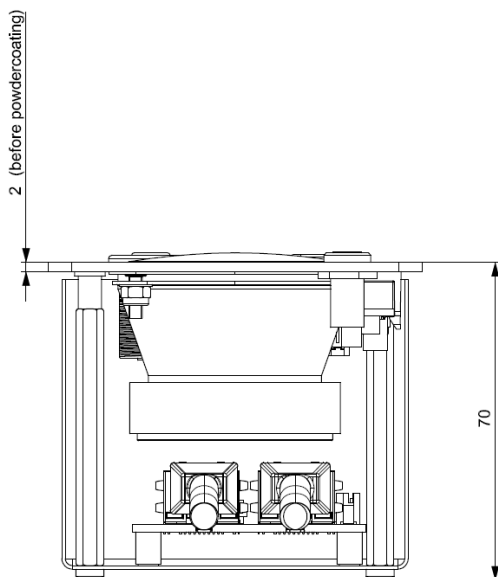
The Confidea F-DD is a *sleek and discreet solution* that is perfectly suited to conference rooms without an existing sound system. The ability to connect headphones provides accessibility for the hearing impaired. The unit is available in a variety of *custom colors, sizes and finishes* to blend in neatly in any environment. The Confidea F-DD is backed by the Plixus® network and redundant cabling to ensure *maximum reliability*. Finally, its shielded microphone is immune to mobile phone interference.

Diagrams

Front View (in mm)



Side View (in mm)



All information copyright **Televic Conference**, 2015.
Version 1.0, October 2015

—
Leo Bekaertlaan 1 · 8870 Izegem · Belgium
Tel. +32 51 30 30 45
Fax +32 51 31 06 70
E-mail: conference@televic.com
Web: <http://www.televic-conference.com>

Televic reserves the right to change this document without notice.